

HFCT PD sensor (50mm, diameter)

TECHIMP High Frequency Current Transformer (HFCT) is an inductive partial discharge sensor showed in the Fig. 2 and 3.



Fig. 2: TECHIMP High Frequency Current Transformer (**internal diameter $\Phi 50$ mm**)

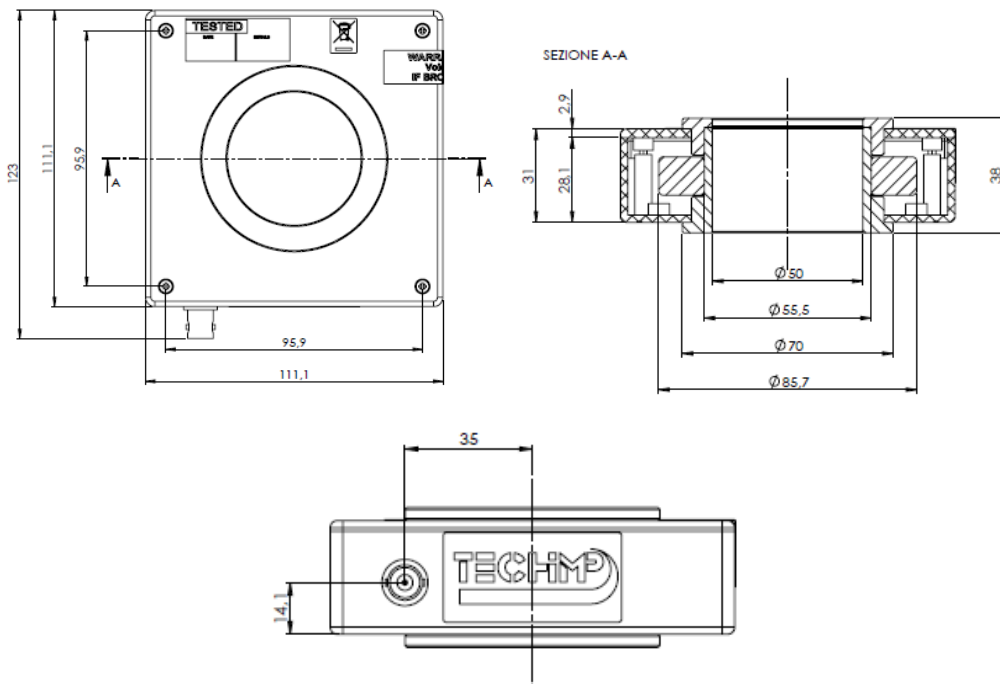


Fig. 3: TECHIMP HFCT (50mm) layout reporting overall dimension

HFCT technical data are listed in Tab. 2.

Tab. 2: Technical characteristics of the HFCT sensor

Bandwidth (-6dB)	1 MHz ÷ 80 MHz
Max Sensitivity (Vout / Iin at 42 MHz, 50 Ω load)	17 mV/mA
Load Impedance	50 Ω
Hole dimension	Φ 50 mm
Overall dimension	111 mm x 123 mm x 38 mm
Operating temperature	-20°C ÷ +70°C

To be noted that the internal diameter of the HFCT is **50 mm** (see Fig. 3). Larger diameter requires a customized HFCT which is not included and quoted in the present proposal.

The above customization feasibility is to be verified by TECHIMP once the bonding cable diameter is provided by the Customer.