

$\phi 33$ (1.30")
42,000A to 10000A AC
3-range

3280-10/-20 CLAMP ON HITESTER

Field measuring instruments



Dual Action Jaw



- ✓ Slim body design
- ✓ Easy clamping in narrow locations



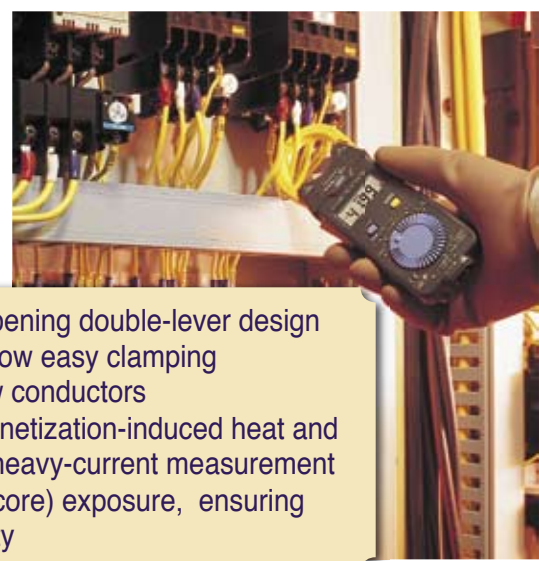
ISO14001
JQA-E-90091



<http://www.hioki.co.jp/>

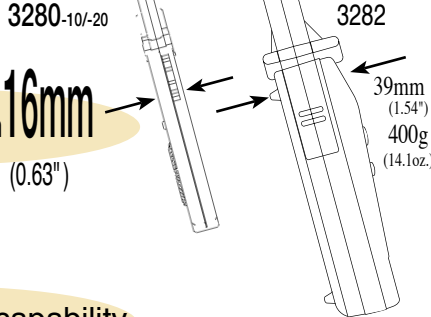
HIOKI company overview, new products, environmental considerations and other information are available on our website.

Safe & Easy Operation!



Features

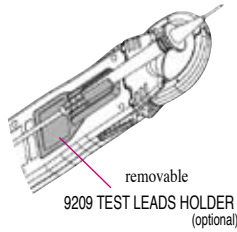
Light **100g**, Slim **16mm**
(3.5 oz.) (0.63")



- Independent-opening double-lever design
- Slim body to allow easy clamping even for narrow conductors
- Eliminates magnetization-induced heat and noise, even in heavy-current measurement
- No metal (iron core) exposure, ensuring enhanced safety

Right / Left hand capability

- **Test Lead Holder** for convenient voltage measurement



Prevents careless mistakes

- **Auto-power save** to conserve battery life
- **PTC Protected (Non-fuse type)** protects up to 250 V AC/DC



True RMS

The 3280-20 performs accurate measurements of even small currents in the AC 42.00 A range. It also guarantees accuracy of True RMS measurements for frequencies from 40 Hz to 1 kHz.



Current waveform of the switching power supply (primary side)



MEAN value method
3280-10



True RMS method
3280-20

- Crest factor: 2.5 max. (Applies to input of at least 60% of the range.)

■ 3280-10/-20 Specifications (accuracy at 23°C±5°C (73°F±9°F), 80% rh or less)

Function	Range (Accuracy)
AC current	(0.06) - 42.00 / 420.0 / 1000 A (50 to 60Hz: ±1.5%rdg, ±5dgt. (3280-10)) (45 to 66Hz: ±1.5%rdg, ±5dgt. (3280-20)) (40 to 45Hz or 66 to 1kHz: ±2.0%rdg, ±5dgt. (3280-20))
DC voltage	420.0 m / 4.200 / 42.00 / 420.0 / 600 V (±1.3%rdg, ±4dgt.)
AC voltage (50 to 500 Hz)	4.200 / 42.00 / 420.0 / 600 V (±2.3%rdg, ±8dgt.)
Resistance (open terminal voltage 3.4 V max.*1)	420.0 / 4.200 k / 42.00 k / 420.0k / 4.200 M / 42.00 MΩ (±2.0%rdg, ±4dgt.*2)
Continuity (open terminal voltage 3.4 V max.)	420.0 Ω (±2.0%rdg, ±6dgt.) (Buzzer sounds at approx 50 Ω or less)

*1. at 420 Ω. (4.2k 0.7V (typ.) 42k to 42M 0.5V (typ.))

*2. at 420 to 420kΩ. (4.2MΩ ±5.0%rdg, ±4dgt. 42MΩ ±10.0%rdg, ±4dgt.)

- AC measurement: mean value ● Ancillary functions: auto ranging, data hold function, auto power save function, battery life warning function
- Display: Max.4199-count LCD ● Sampling rate: 2.5 times/sec (Fast), 1 times/3sec (Slow) ● Measurable conductor diameter: ø33mm (1.30") max. ● Maximum rated voltage to earth: CAT III 600 V (Current measurement section), CAT III 300 V, CAT II 600 V (Voltage measurement section) ● Max.input current: 2000 A rms cont. ● Max.input voltag: 600 V rms ● Effect of conductor position: within ±5.0 % in any direction from the center of sensor ● Overload protection:

DCV/ACV - 600 V DC / AC rms; ohms/continuity - 250 V AC rms ● Applicable standards: Safety - EN61010-1:1993 + A2:1995, EN61010-1:2001 CAT III 600V(AC A), CAT III 300V, CAT II 600V(AC/DC V), UL 61010B-1:2003; EMC - EN61326:1997 + A1:1998 + A2:2001 ● Drop-proof: 3280-10/-20 can with-stand a 1m drop onto a concrete floor ● Location for use: Indoors, altitude up to 2000 m ● Ambient temperature of use: 0 to 40°C (32°F to 104°F), 80%rh (no condensation) ● Storage temperature range: -10 to 50°C (14°F to 122 °F), (no condensation) ● Power source: CR2032 battery×1 (3V DC) ● Continuous operating time: approx. 150 hours (3280-10), 50 hours (3280-20) ● Dimensions and mass: Approx. 57 WX175 HX16 D mm, 100 g (Approx 2.2" (W) X 6.9" (H) X 0.6" (D), 3.5 oz.) ● Accessories: battery, carrying case, test leads and manual

⚠ **WARNING** Inspect the unit and check that it is operating correctly before use. When carrying out measurement on live lines, wear proper protective gear, insulating rubber gloves, insulating rubber boots and safety helmet, and use extreme caution to avoid electric shock accidents.

⚠ **DANGER** In order to prevent short-circuits and injury, use the clamp product on electrical circuits with a voltage less than the maximum operation circuit voltage.



Includes 9208 TEST LEAD and 9398 CARRYING CASE

● Options 9209 TEST LEAD HOLDER



HIOKI

HIOKI E. E. CORPORATION

HEAD OFFICE :

81 Koizumi, Ueda, Nagano, 386-1192, Japan
TEL +81-268-28-0562 / FAX +81-268-28-0568
E-mail: os-com@hioki.co.jp

HIOKI USA CORPORATION :

6 Corporate Drive, Cranbury, NJ 08512 USA
TEL +1-609-409-9109 / FAX +1-609-409-9108
E-mail: hioki@hiokiusa.com

Shanghai Representative Office :

1704 Shanghai Times Square Office
93 Huaihai Zhong Road
Shanghai, 200021, P.R.China
TEL +86-21-6391-0090, 0092
FAX +86-21-6391-0360
E-mail: info@hioki.cn

DISTRIBUTED BY